

PROJECT:

TIME: 4:11 PM

DATE: 02/20/18

NEW OVERHEAD 400A (120/208V, 3 PHASE) ELECTRIC SERVICES TO ELECT. METER WALL AT GROUND FLOOR. VERIFY EXACT LOCATION & DIMENSION. COORDINATE WITH PSE&G

NEW TAPPING VALVE
NEW 4" D.I.P. UNDERGROUND GAS LINE. CONNECT TO EXISTING GAS MAIN IN STREET.

PROPOSED SIAMESE FIRE DEPT. CONNECTION. VERIFY EXACT LOCATION WITH LOCAL FIRE OFFICIAL

INSTALL 4" DIA SDR-35 PVC SEWER PIPE TO EXISTING 15" CLAY S=2.0% MIN. INV AT SPRING LINE=1.61

INSTALL 6" DIA SDR-35 PVC STORM PIPE TO EXISTING 15" CLAY S=2.0% MIN. INV AT SPRING LINE=1.59

INSTALL OUTLET STRUCTURE
RIM=9.90
INV 6" OUT=5.00
WER=6.50
INV 2.5" IN WER=5.00
INV 24" IN=5.00

INSTALL 6 75 LF OF 24" DIA HDPE PIPE S=0.0025% PIPES CONNECTIONS ARE WATERTIGHT

INSTALL STORM MANHOLE
RIM=9.90
INV=5.00

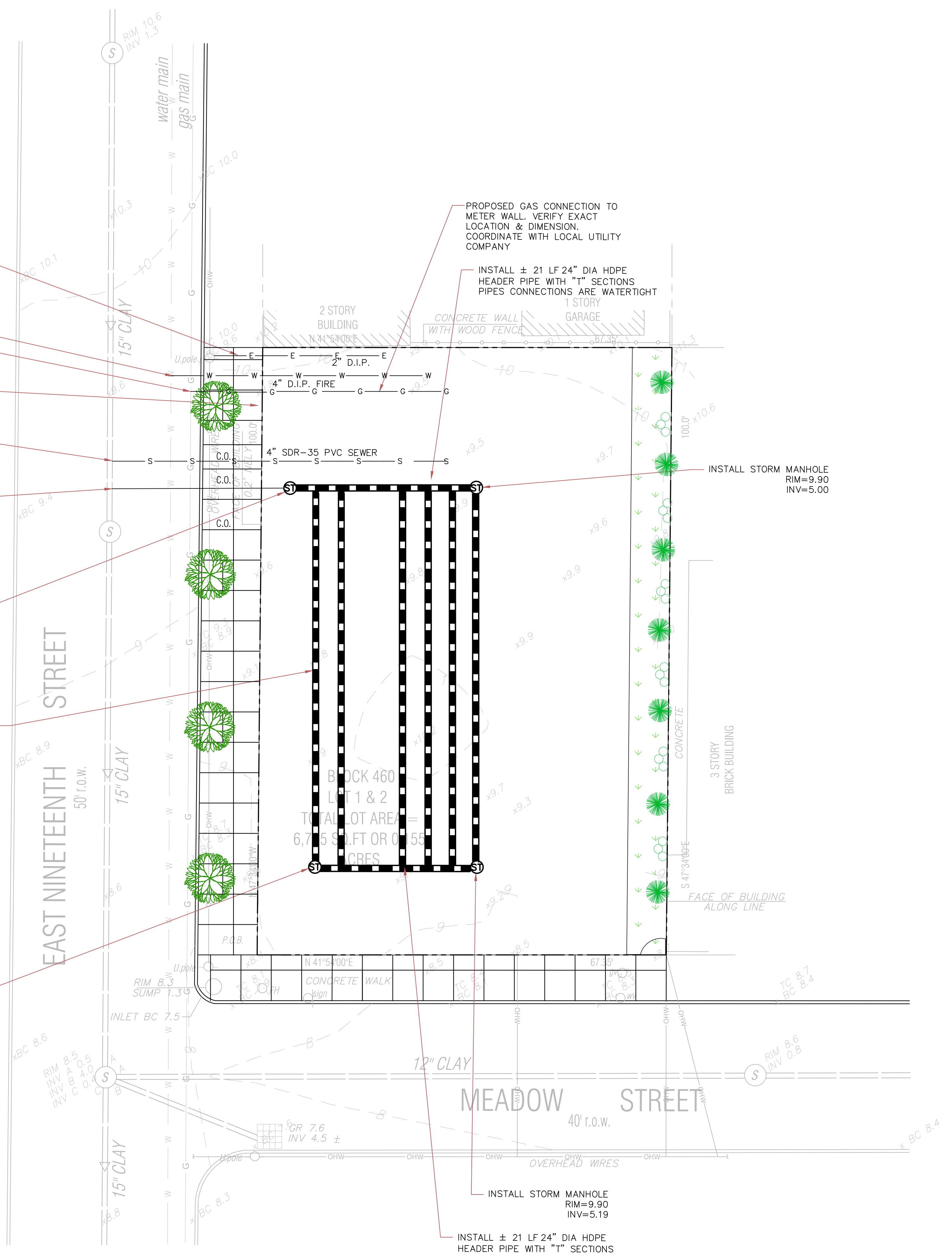
PROPOSED GAS CONNECTION TO METER WALL. VERIFY EXACT LOCATION & DIMENSION. COORDINATE WITH LOCAL UTILITY COMPANY

INSTALL ± 21 LF 24" DIA HDPE HEADER PIPE WITH "T" SECTIONS PIPES CONNECTIONS ARE WATERTIGHT

INSTALL STORM MANHOLE
RIM=9.90
INV=5.00

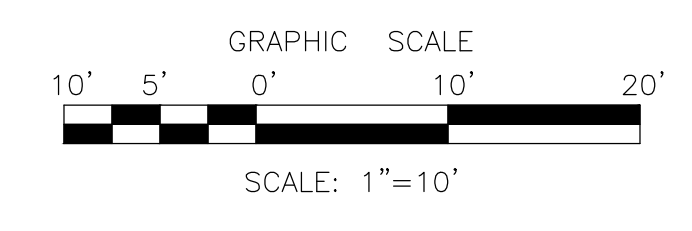
INSTALL STORM MANHOLE
RIM=9.90
INV=5.19

INSTALL ± 21 LF 24" DIA HDPE HEADER PIPE WITH "T" SECTIONS PIPES CONNECTIONS ARE WATERTIGHT



PROPOSED LEGEND

- W — WATER LINE
- E — ELECTRIC LINE/COMM.
- G — GAS LINE
- S — SEWER LINE
- S — STORM LINE
- S — STORM LINE
- CO CLEAN OUT
- ⊙ S STORM STRUCTURE



DRAINAGE & UTILITY PLAN
SCALE: 1"=10'

02/07/23	updated the outlet structure for the storm water management system	B.A.C.	E.R.
Date	Revision	Drawn By:	Checked By:

1-3 & 5 Meadow Street
BLOCK 460 LOTS 1 & 2
City of Bayonne Hudson County New Jersey

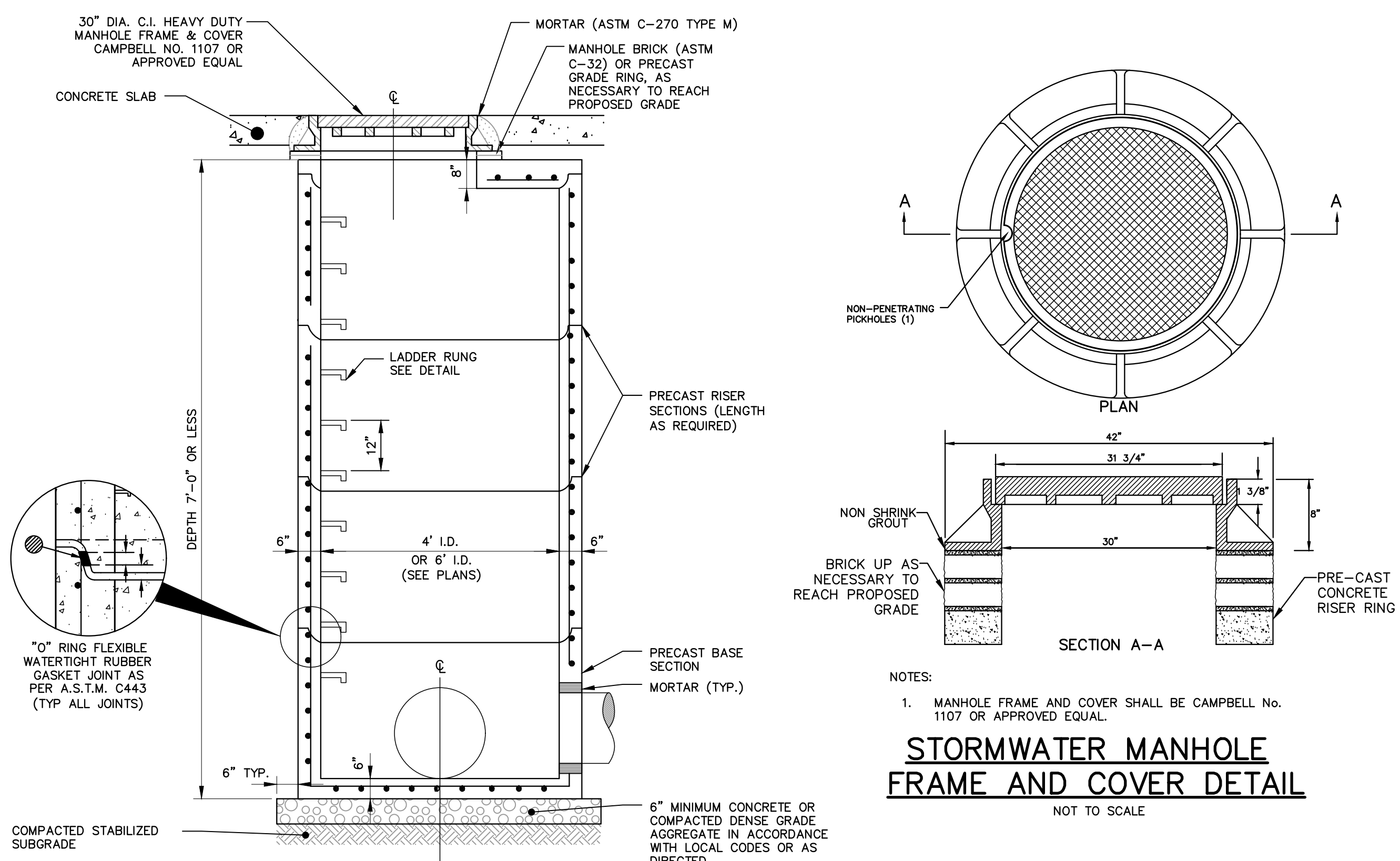
DRAINAGE & UTILITY PLAN

Edwin A. Reimon, P.E., C.M.E. 251 Ridge Road Lyndhurst, NJ 07071 <i>Edwin Reimon</i> Edwin A. Reimon, P.E. NJ PROFESSIONAL ENGINEER NO. 24GE03869400	Job #: 2018 - 3818 Scale: AS SHOWN Date: 7/01/2018
	Drawn By: V.B.V. Checked By: E.A.R.

PROJECT:

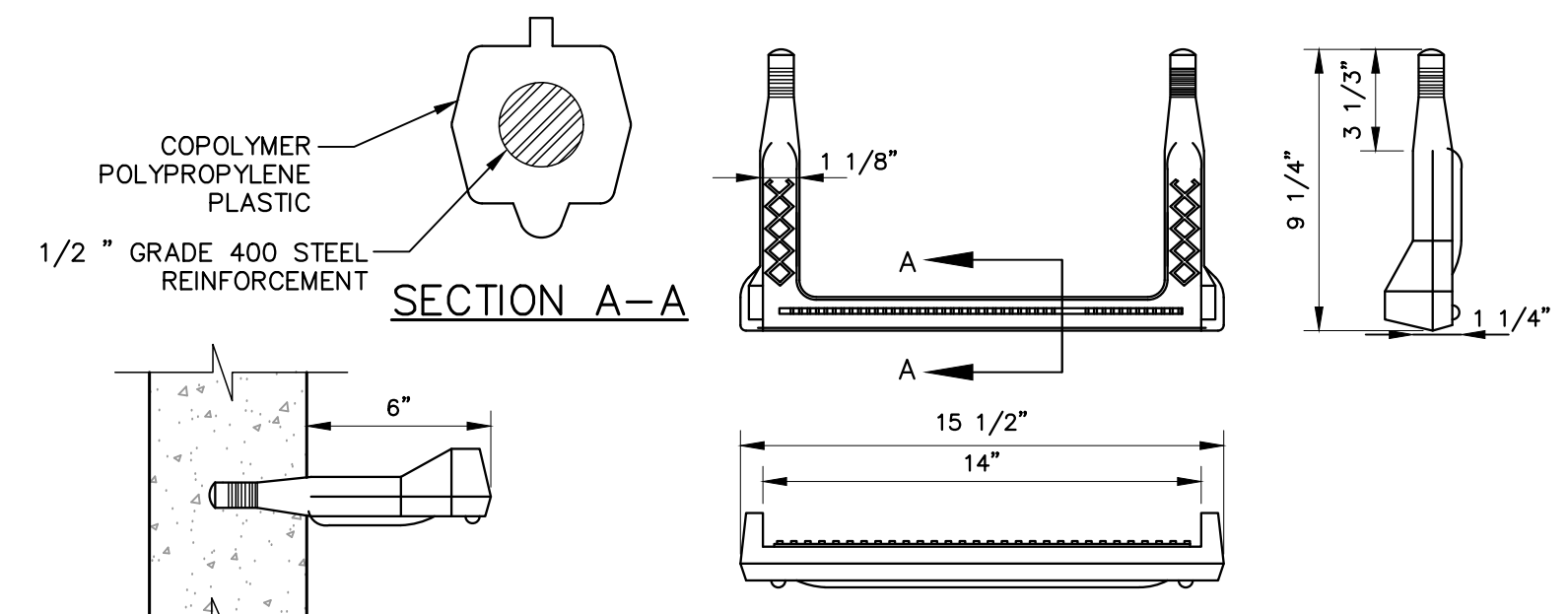
TIME: 10:12 PM

DATE: 8/19/2017

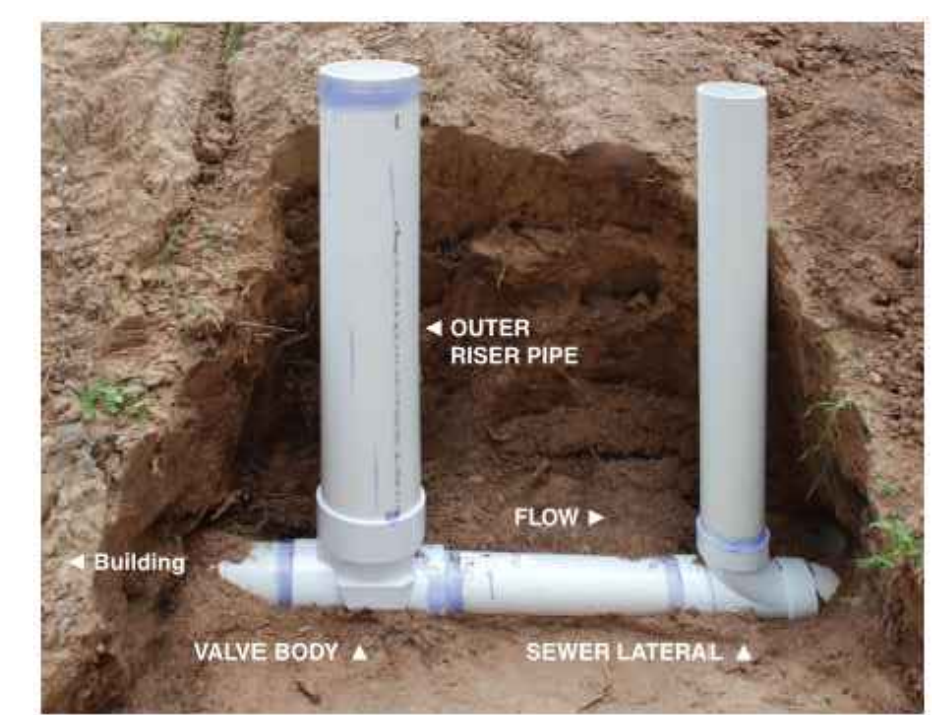


- NOTES:
- DESIGN AND MANUFACTURE OF PRECAST MANHOLE SECTIONS SHALL BE IN ACCORDANCE WITH ASTM C-478, LATEST REVISION.
 - DETAILS MAY VARY FROM THOSE SHOWN. VERIFY DIMENSIONS, SPACING, MATERIALS, SIZED, ETC. OF ALL ITEMS WITH LOCAL AUTHORITY.

STORMWATER MANHOLE DETAIL
NOT TO SCALE

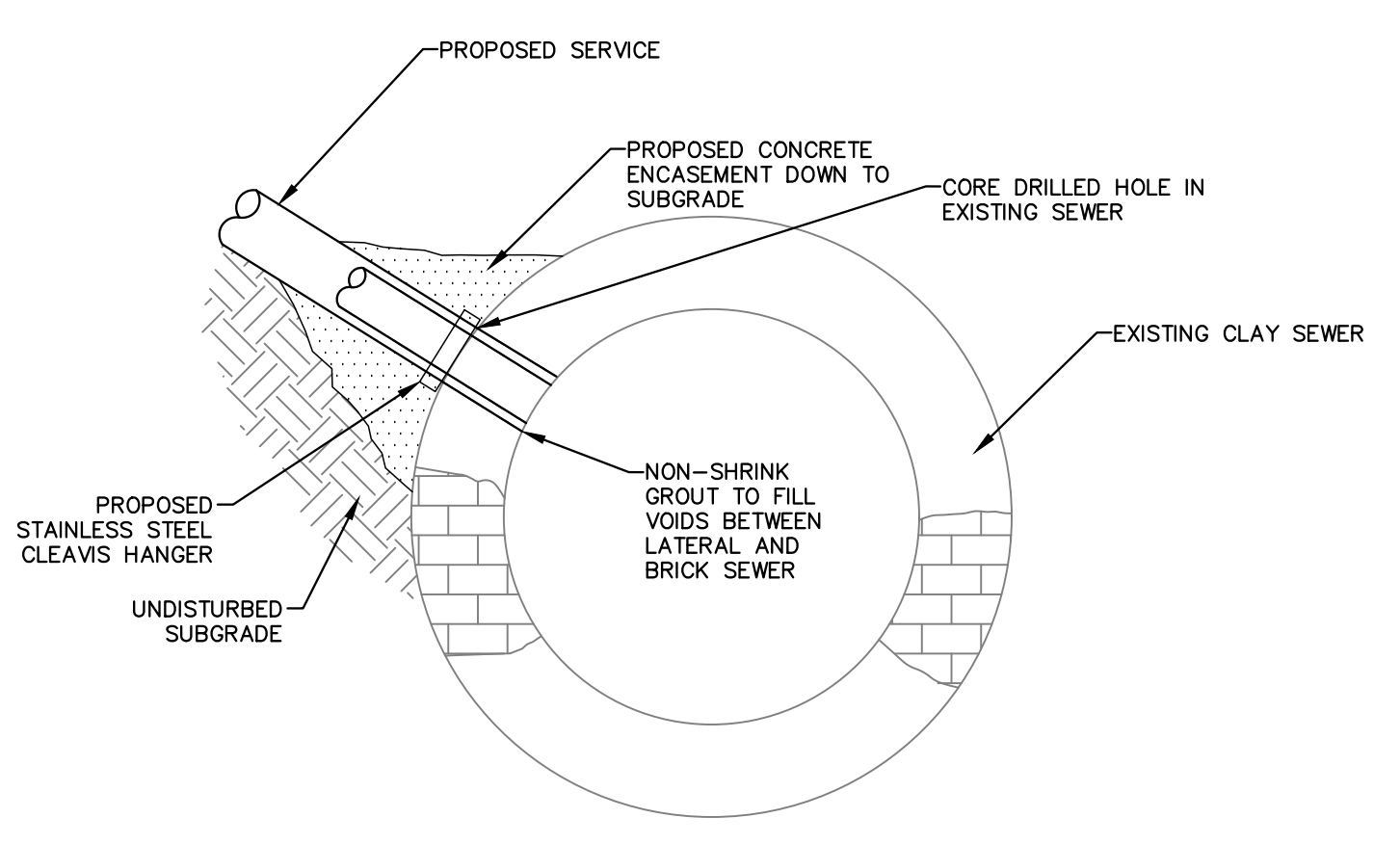


COPOLYMER POLYPROPYLENE PLASTIC LADDER RUNG DETAIL
NOT TO SCALE



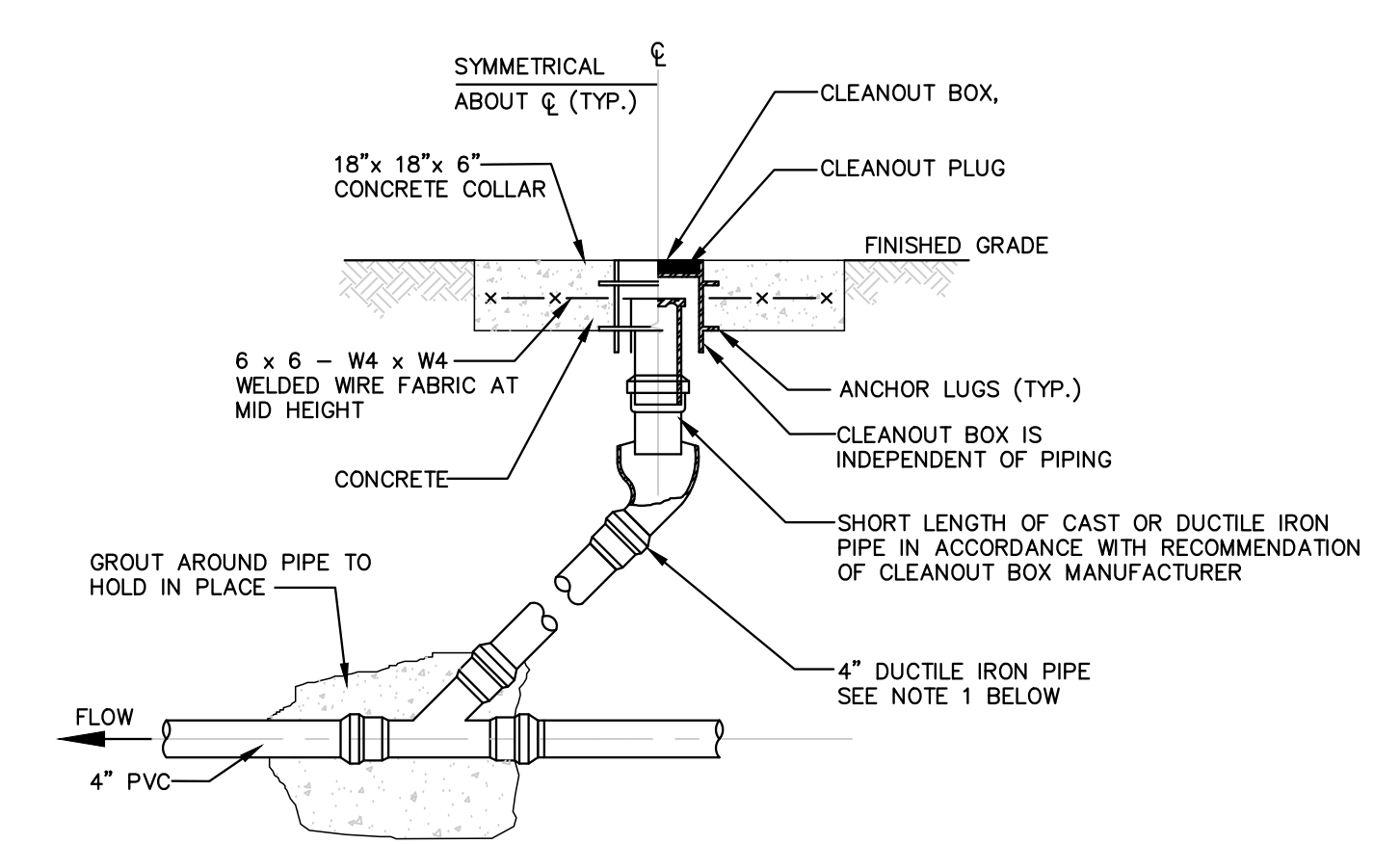
- NOTES:
- CLEAN CHECK EXTENDABLE BACKWATER VALVE BY RECTORSEAL, WWW.RECTORSEAL.COM OR APPROVED EQUAL TO BE USED ON 8\"/>

BACKFLOW PREVENTER DEVICE WITH CLEANOUT
NOT TO SCALE



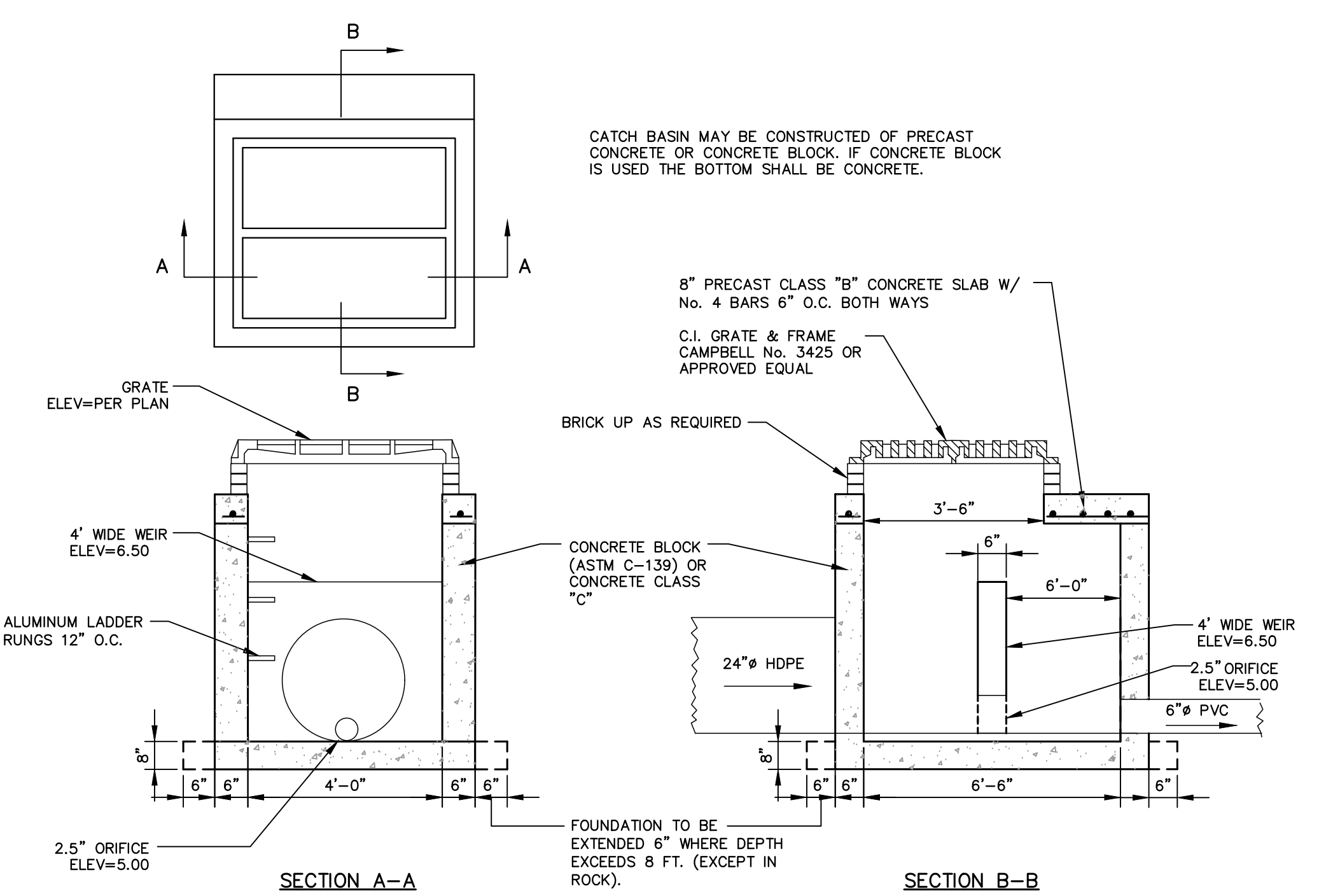
1. SEE GRADING & UTILITY PLANS FOR INVERTS OF PROPOSED LATERAL.

CONNECTION TO SEWER

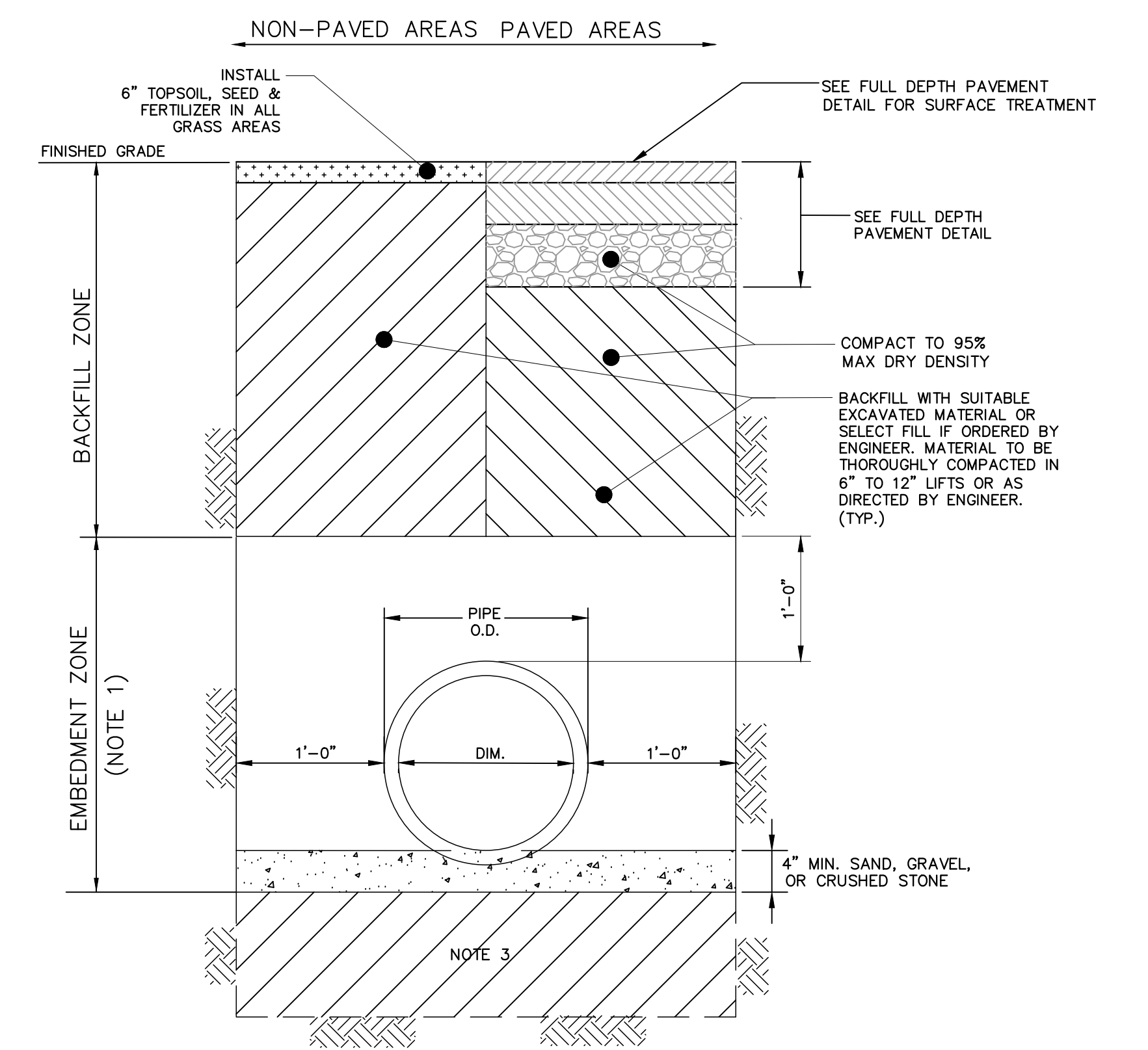


- NOTES:
- CLEANOUT PIPING ASTM A-746 CLASS 50 WITH PUSH ON, GASKETED JOINTS. CONTRACTOR SHALL PROVIDE BENDS OR OTHER SPECIAL FITTINGS FOR UNDERGROUND PIPING AS REQUIRED TO FOLLOW ALIGNMENT SHOWN ON PLAN AND TO CONNECT TO SEWER OR DRAIN.
 - HEAVY DUTY CAST IRON FRAME AND COVER.

CLEANOUT DETAIL
NOT TO SCALE



OUTLET STRUCTURE DETAIL
NOT TO SCALE



- NOTES:
- BACKFILL IN EMBEDMENT ZONE SHALL BE PLACED BY HAND IN 6 INCH LIFTS ON BOTH SIDES OF PIPE TO 1 FOOT OVER PIPE TO PREVENT DISPLACEMENT. COMPACT TO 95% MAX. DRY DENSITY IN ACCORDANCE WITH ASTM D-1557.
 - BACKFILL IN BACKFILL ZONE SHALL BE PLACED BY HAND OR MACHINE IN 6 INCH LIFTS FROM 1 FOOT ABOVE PIPE TO SUB-GRADE AREAS FOR PAVEMENT, PAVERS OR GRASS AREAS. COMPACT TO 95% MAX. DRY DENSITY IN PAVED OR H-20 LOADING AREAS AND 85% MAX. DRY DENSITY IN LAWN OR UNPAVED AREAS IN ACCORDANCE WITH ASTM D-1557.
 - IF UNSUITABLE SOIL MATERIALS ARE ENCOUNTERED, REMOVE AND REPLACE WITH 12 INCHES ADDITIONAL BEDDING OR AS DIRECTED BY ENGINEER.
 - DENSE GRADED AGGREGATE BEDDING MATERIAL SHALL BE COMPACTED IN 6\"/>
 - BEDDING AND BACKFILL MATERIAL SHALL COMPLY WITH THE REQUIREMENTS OF THE NDOT'S STANDARD SPECIFICATION FOR ROAD AND BRIDGE CONSTRUCTION, AND THE DESIGN AND CONSTRUCTION OF URBAN STORMWATER MANAGEMENT SYSTEMS, ASCE MANUALS AND REPORTS OF ENGINEERING PRACTICE NO. 77, 1993, AS APPLICABLE.

TRENCH DETAIL
NOT TO SCALE

02/07/23	updated the outlet structure for the storm water management system	B.A.C.	E.R.
11/06/2022	UPDATED FOR SOIL EROSION CONTROL APPLICATION	A.R.	E.R.
Date	Revision	Drawn By:	Checked By:

1-3 & 5 Meadow Street
BLOCK 460 LOTS 1 & 2
City of Bayonne Hudson County New Jersey

CONSTRUCTION DETAILS

Edwin A. Reimon, P.E., C.M.E. 251 Ridge Road Lyndhurst, NJ 07071 <i>Edwin Reimon</i> Edwin A. Reimon, P.E. NJ PROFESSIONAL ENGINEER NO. 24GE03869400	Job #: 2017 - 1500 Scale: AS SHOWN Date: 7/01/2018 Drawn By: B.A.C. Checked By: E.A.R.	Sheet #: 2 of 2
---	--	-----------------